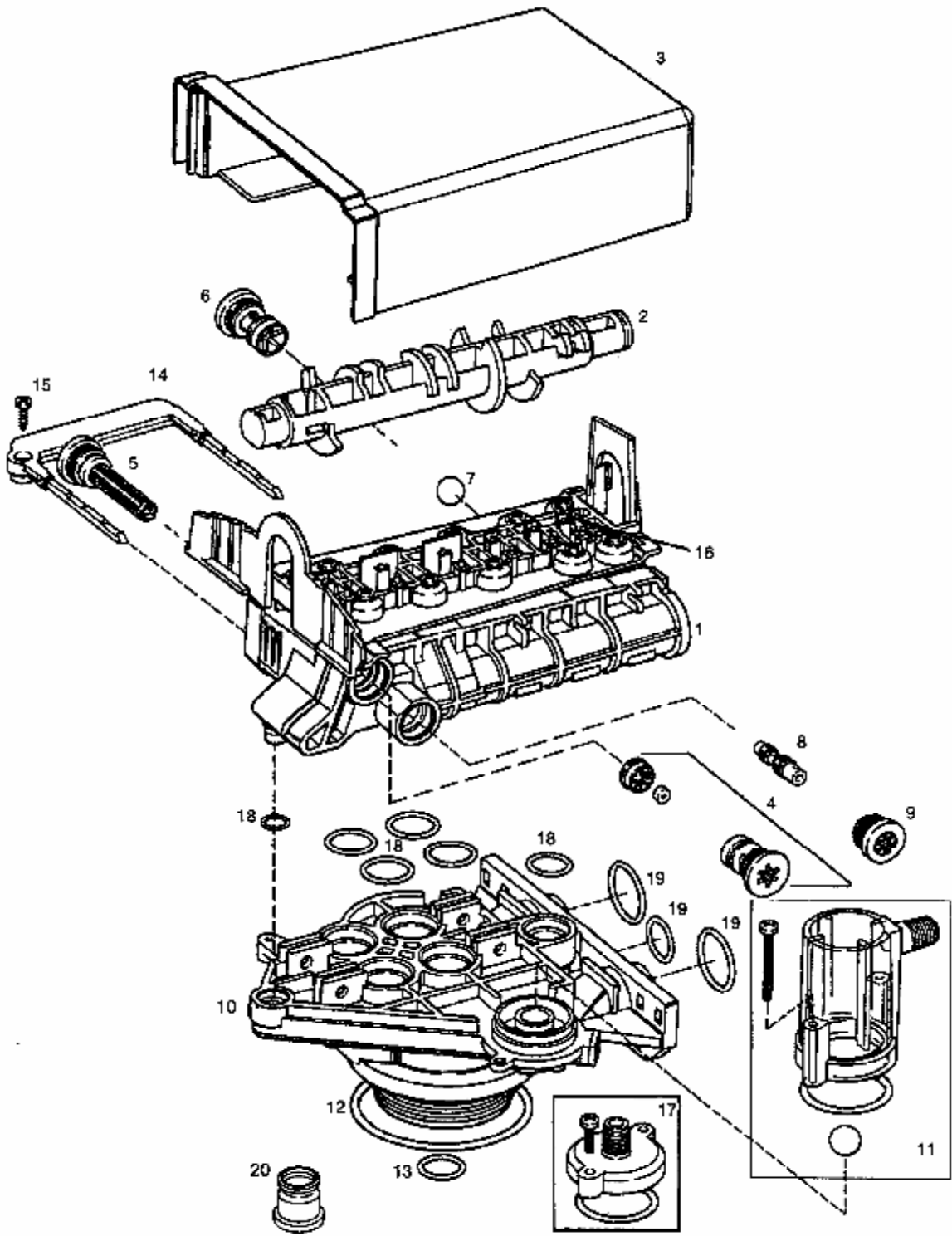


**255-940 - VALVE BODY and TANK ADAPTOR MODULE**



## 255-940 - VALVE BODY PARTS LIST

Code	Part No.	Description	Qty
1	OAA-1000238	Valve Assy. w/o Flow Controls	1
2	OAA-1000824	Camshaft, Std, One-Piece	1
3	OAA-1000827	Valve Cover, Black	1
4		<b>Brine Refill Flow Control Assy. :</b>	1
	OAA-1000221	.14 GPM	
	OAA-1000222	.33 GPM	
5	OAA-1000226	Screen/Cap Assy. With O-ring	1
6		<b>Backwash Control Assy. With</b>	1
	OA-1000209	No. 7 for 7 in Diameter Tank	
	OA-1000211	No. 9 for 9 in Diameter Tank	
	OA-1000212	No. 10 for 10 in Diameter Tank	
	OA-1000213	No. 12 for 12 in Diameter Tank	
7	OA-1030502	Ball, Flow Control	1
8		<b>Injector Assy. With O-rings</b>	1
	OA-1032970	"A" Injector - White	
	OA-1032971	"B" Injector - Blue	
	OA-1032972	"C" Injector - Red	
9		<b>Injector Cap With O-rings</b>	1
	OA-1032973	"A" Cap	
	OA-1032974	"B" Cap	
	OA-1032975	"C" Cap	
10	OAA-1033784	Tank Adaptor Assy.	1
11	OAA-1032417	Air Check Ass.	1
12	OA-1010429	O-ring, 3-1/8x3-1/2x3/16 BN	1
14	OA-1031401	Locking Bar: English Language	1
15	OA-1006093	Screw, No. 8x9/16 in	9
16	OA-1001580	Spring, Valve Discs	
17		<b>Kits:</b>	
	OAA-1033066	New to Old Air Check Adaptor	
*	OAA-1000250	Valve Discs Replacement (*Not Shown)	
18	OA-1001404	O-ring Group: Tank Adaptor	
19	OA-1040459	O-ring Group: Piping Boss	