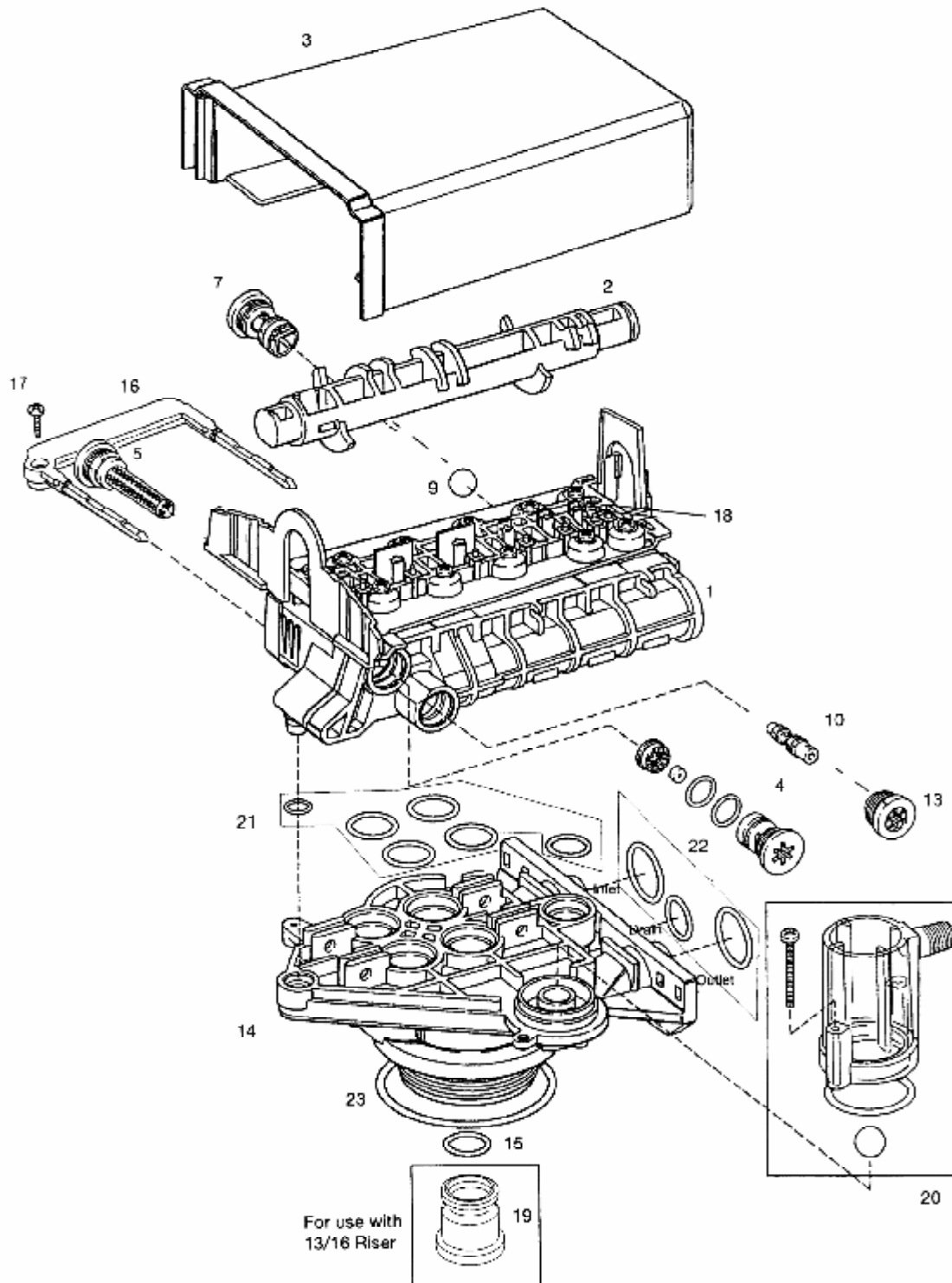


255-964 - VALVE BODY AND TANK ADAPTOR MODULE



255-964 - VALVE ASSEMBLY PARTS LIST

Code	Part No.	Description	Qty
1	OAA-1000238	Valve Assy. w/o Flow Controls	1
2	OAA-1000824	Camshaft, ReadySoft, One-Piece	1
3	OAA-1000827	Valve Cover, Black	1
4		Brine Refill Flow Control Assy. :	1
	OAA-1000221	.14 GPM	
	OAA-1000222	.33 GPM - Standard	
5	OAA-1000226	Screen/Cap Assy. With O-ring	1
7		Drain Control Assy. With O-rings:	
	OA-1000209	No. 7 for 7 in Diameter Tank	
	OA-1000211	No. 9 for 9 in Diameter Tank	
	OA-1000212	No. 10 for 10 in Diameter Tank	
	OA-1000213	No. 12 for 12 in Diameter Tank	
9	OA-1030502	Ball, Flow Control	1
10		Injector Assy. With O-rings	1
	OA-1032970	"A" Injector - White	
	OA-1032971	"B" Injector - Blue	
	OA-1032972	"C" Injector - Red	
13		Injector Cap with O-rings	1
	OA-1032973	"A" Cap	
	OA-1032974	"B" Cap	
	OA-1032975	"C" Cap	
14	OAA-1033784	Tank Adaptor Assy.	1
15	OA-1010138	O-ring, 3/4 x 1 x 1/8 EP	1
16	OA-1031401	Locking Bar: English Language	1
17	OA-1006093	Screw, No. 8x9/16 in	1
18	OA-1001580	Spring, Valve Discs	9
19	OAA-1001986	13/16 Rubber Insert	1
		Kits:	
20	OAA-1032417	Air Check Ass.	1
21	OA-1001404	O-ring Group: Tank Adaptor	
22	OA-1040459	O-ring Group: Piping Boss	
23	OA-1010429	O-ring, 3/16 X 3-1/8 X 3-1/2	
*	OAA-1000250	Valve Discs Replacement (*Not Shown)	

* Not Shown