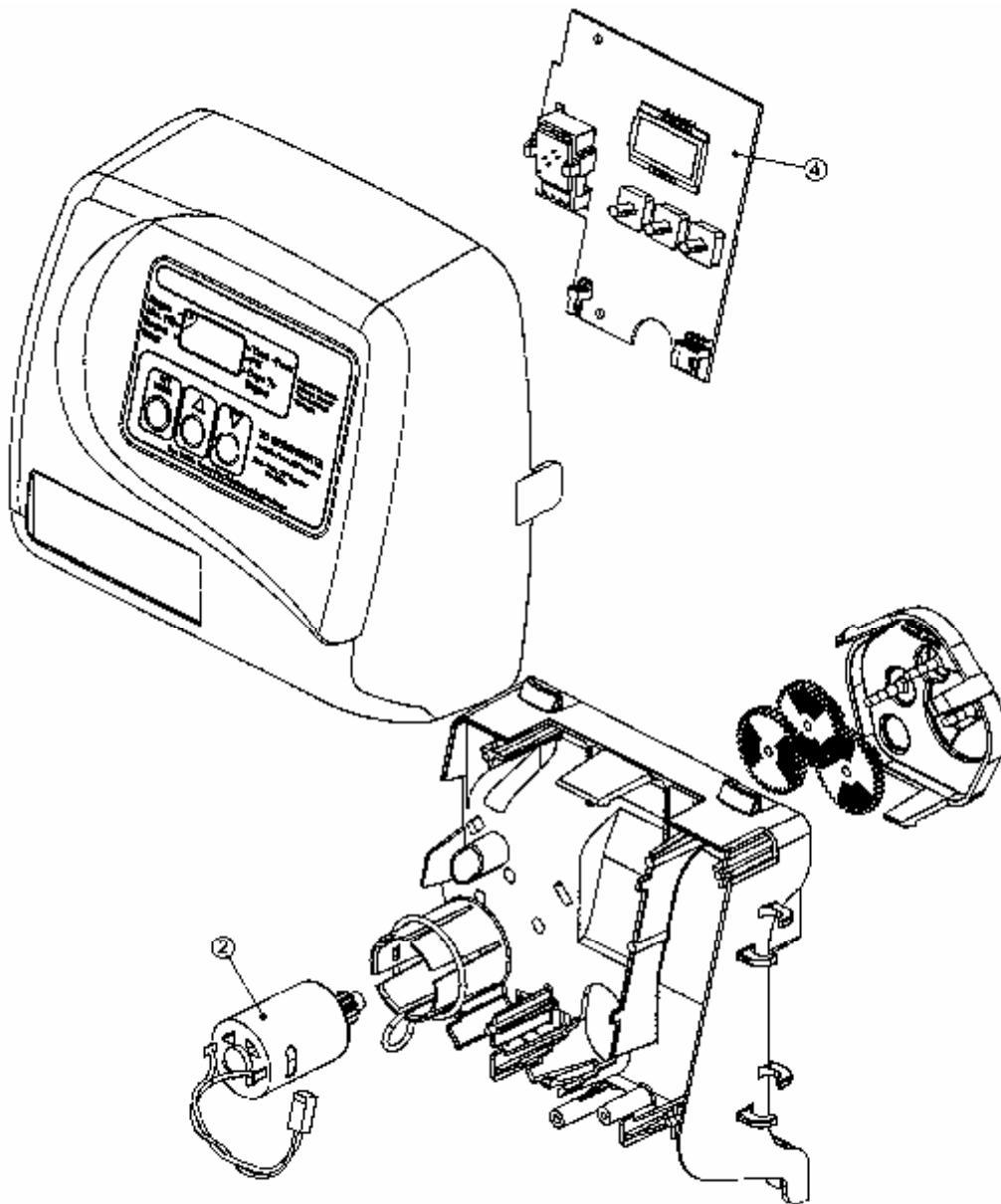


## WS1-TC - SPARES BREAKDOWN

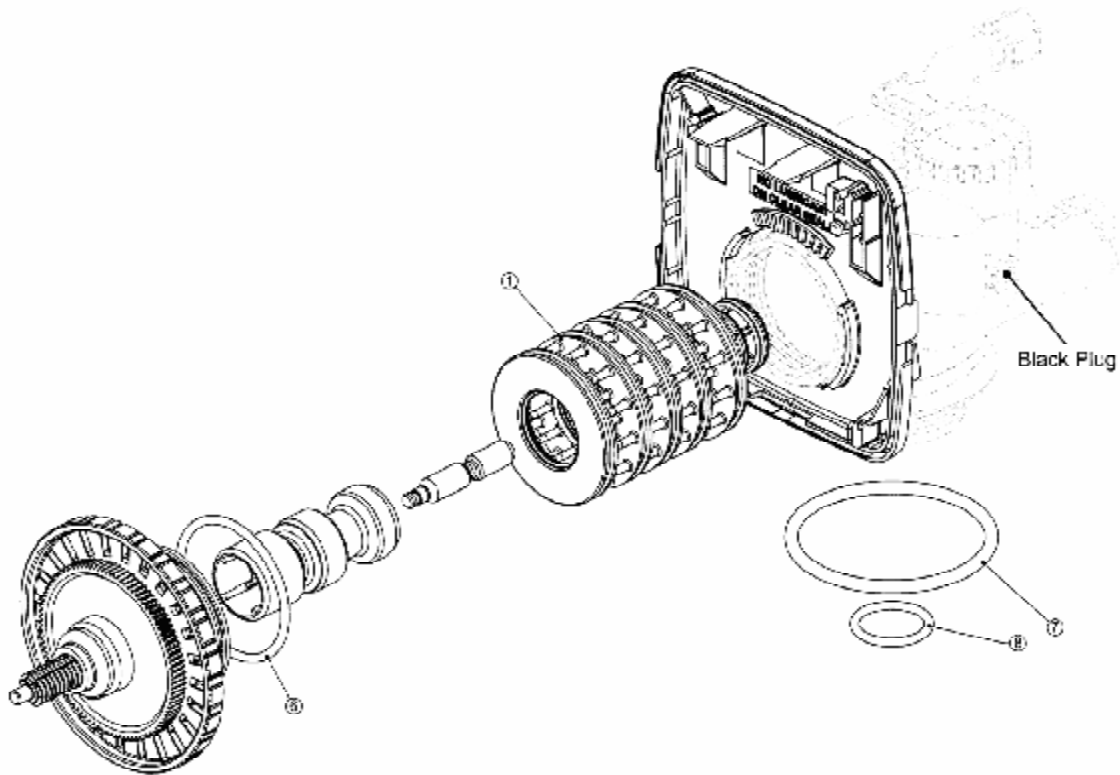
### WS1-TC Front Cover and Drive Assembly

Drawing No.	Order No.	Description	Quantity
2	CL-V3107-01	WS1 Motor	1
4	CL-V3108TC	WS1 PC Board	1



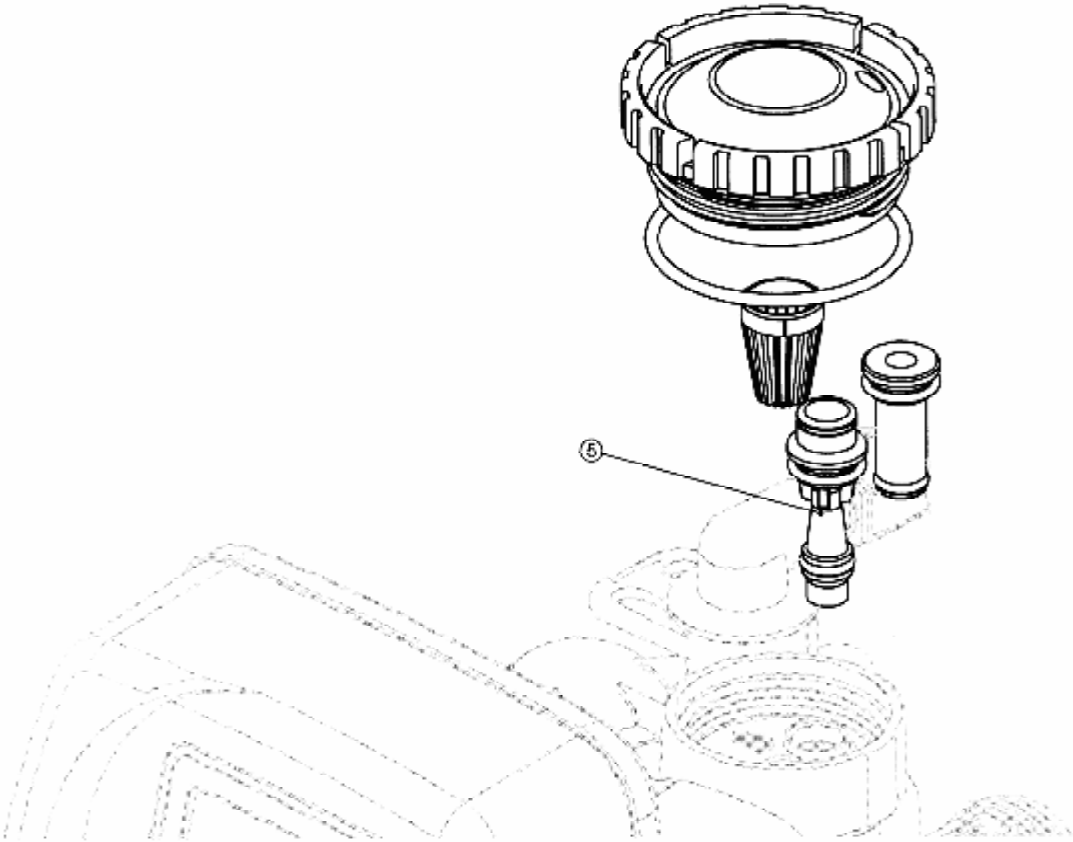
## WS1TC Drive Cap Assembly, Downflow Piston, Regenerant Piston and Spacer Stack Assembly

Drawing No.	Order No.	Description	Quantity
1	CL-V3005	WS1 Spacer Stack Assembly	1
6	CL-V3135	O-ring 228	1
7	CL-V3180	O-ring 337	1
8	CL-V3105	O-ring 215 (Distributor Tube)	1



### Injector Cap, Injector Screen, Injector, Plug and O-Ring

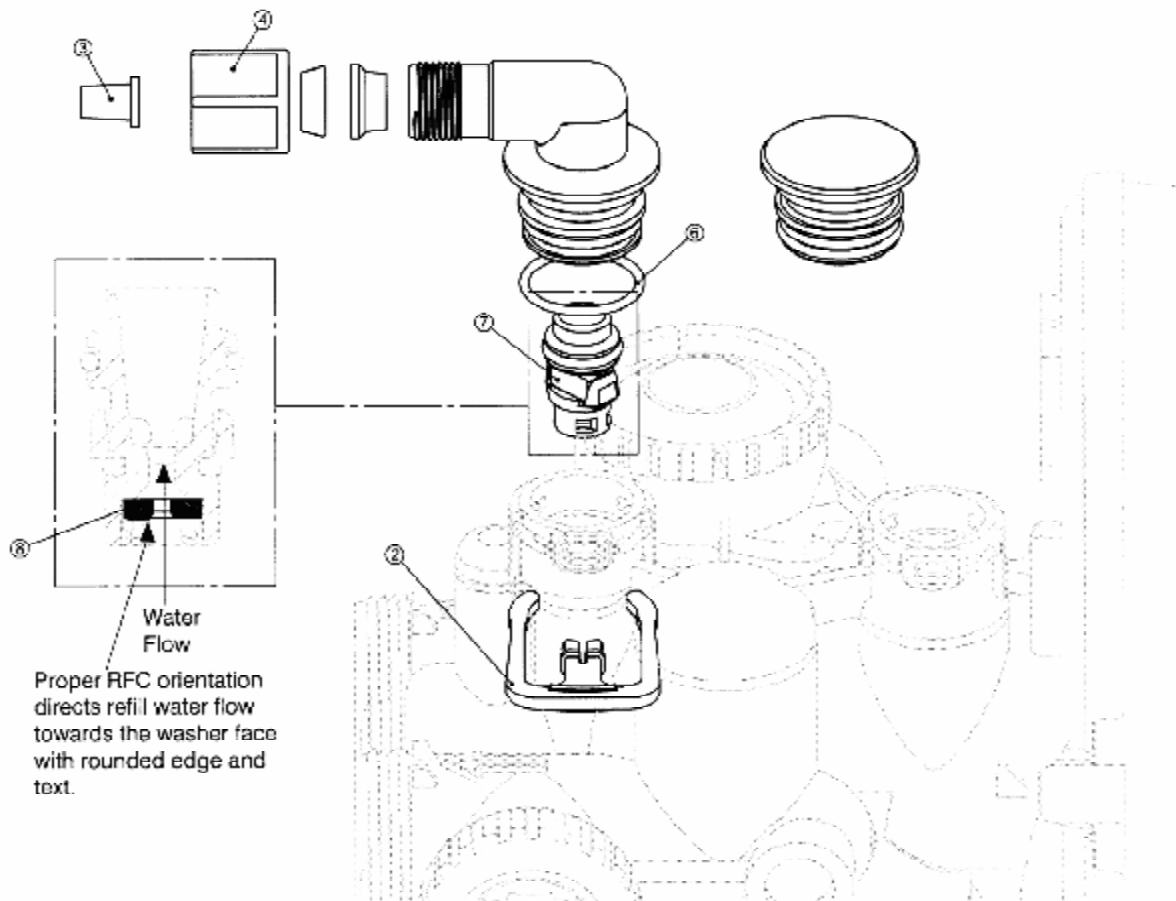
Drawing No.	Order No.	Description	Quantity
5	CL-V3010-1A	WS1 INJECTOR ASSY - BLACK	1
	CL-V3010-1D	WS1 INJECTOR ASSY - RED	
	CL-V3010-1E	WS1 INJECTOR ASSY - WHITE	
	CL-V3010-1F	WS1 INJECTOR ASSY - BLUE	
	CL-V3010-1G	WS1 INJECTOR ASSY - YELLOW	
	CL-V3010-1H	WS1 INJECTOR ASSY - GREEN	
	CL-V3010-1I	WS1 INJECTOR ASSY - ORANGE	
	CL-V3010-1K	WS1 INJECTOR ASSY - LIGHT GREEN	



## Refill Flow Control Assembly

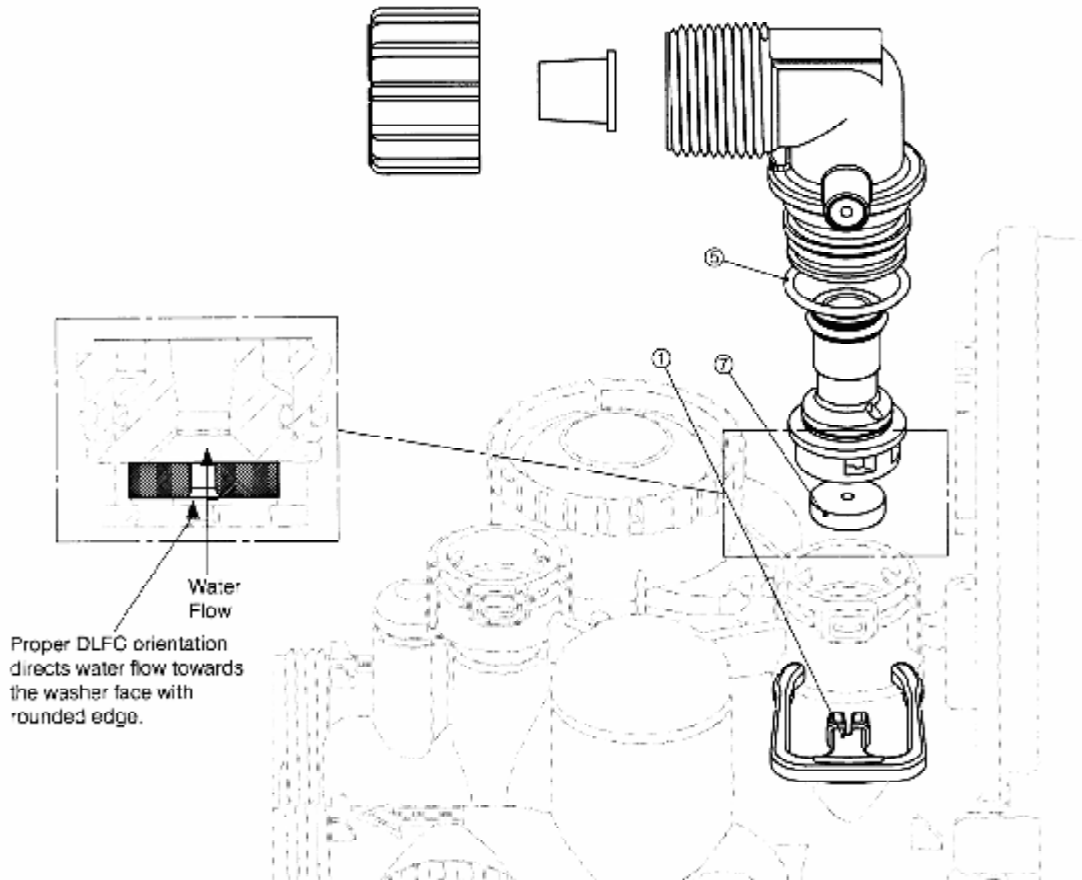
Drawing No.	Order No.	Description	Quantity
2	CL-VH4615	Elbow Locking Clip	1
3	CL-JCP-P-6	Polytube insert 3/8"	1
4	CL-JCPG-6PBLK	Nut 3/8"	1
6	CL-V3163	O-ring 019	1
7	CL-V3165-01*	WS1 RFC Retainer ASY	1

\* Assembly includes V3182 WS1 RFC



## Drain Line – 3/4”

Drawing No.	Order No.	Description	Quantity
1	CL-VH4615	Elbow Locking Clip	1
4	CL-V3158-01	WS1 Drain Elbow 3/4 Male	1
5	CL-V3163	O-ring 019	1
7	CL-V3162-013	WS1 DLFC 1.3 gpm for 3/4 4.9 lpm	
	CL-V3162-022	WS1 DLFC 2.2 gpm for 3/4 8.3 lpm	
	CL-V3162-027	WS1 DLFC 2.7 gpm for 3/4 10.2 lpm	
	CL-V3162-042	WS1 DLFC 4.2 gpm for 3/4 16 lpm	
	CL-V3162-053	WS1 DLFC 5.3 gpm for 3/4 20 lpm	
	CL-V3162-065	WS1 DLFC 6.5 gpm for 3/4 24.7 lpm	
	CL-V3162-090	WS1 DLFC 9.0 gpm for 3/4 34.2 lpm	

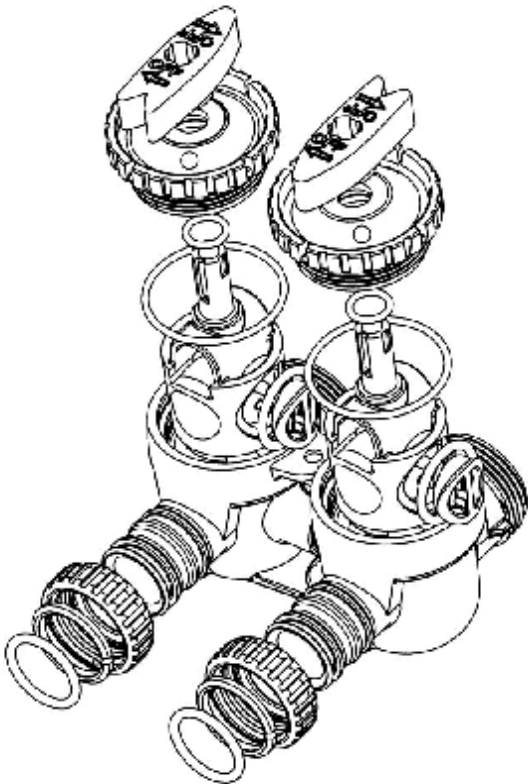


## Installation Fitting Assembly

Order No: **CL-V3007-01**  
Description: **WS1 Fitting ¾" & 1" PVC Solvent 90° ASY**



**Bypass Valve**  
Order No: **CL-V3006**



Order No: **CL-V3009**  
Description: **WS1 Auxiliary Microswitch Assembly**

